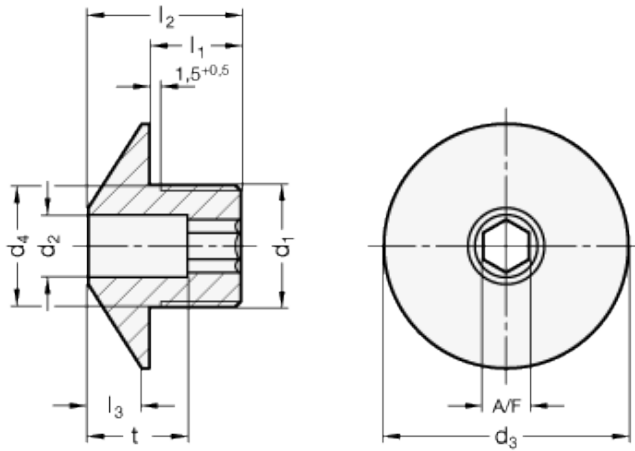


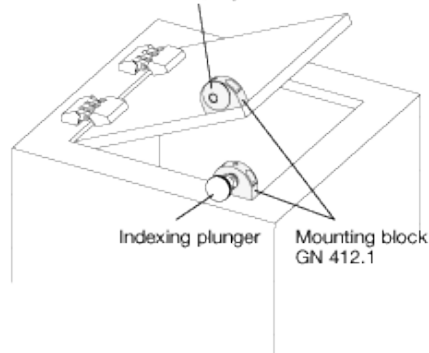
GN 412.3

Positioning bushings with ramping cone

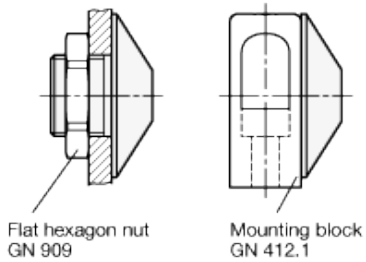


Example of application

Positioning bushing with ramping cone GN 412.3



Assembly examples



Flat hexagon nut
GN 909

Mounting block
GN 412.1



technical informations

Material

Black-hardened steel.

Features and applications

Positioning bushings with ramping cone GN 412.3 are used in connection with bolts of indexing plungers. The threads are adapted to the mounting blocks GN 412.1 and GN 612.1.

Standard Elements	Main dimensions									Weight
Description	d_1	$d_{2+0.1}$	d_3	$d_{4-0.05}$	$l_{1-0.2}$	l_2	l_3	A/F	t	g
GN 412.3-M12x1.5-B5.2	M12x1.5	B5.2	24	12	10	16	5	4	11	15
GN 412.3-M12x1.5-B6.2	M12x1.5	B6.2	24	12	10	16	5	4	11	20
GN 412.3-M16x1.5-B8.2	M16x1.5	B8.2	32	16	12	20	7	6	13	30
GN 412.3-M16x1.5-B10.2	M16x1.5	B10.2	32	16	12	20	7	6	13	35



STANDARD MACHINE ELEMENTS WORLDWIDE